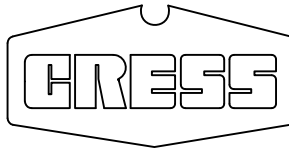


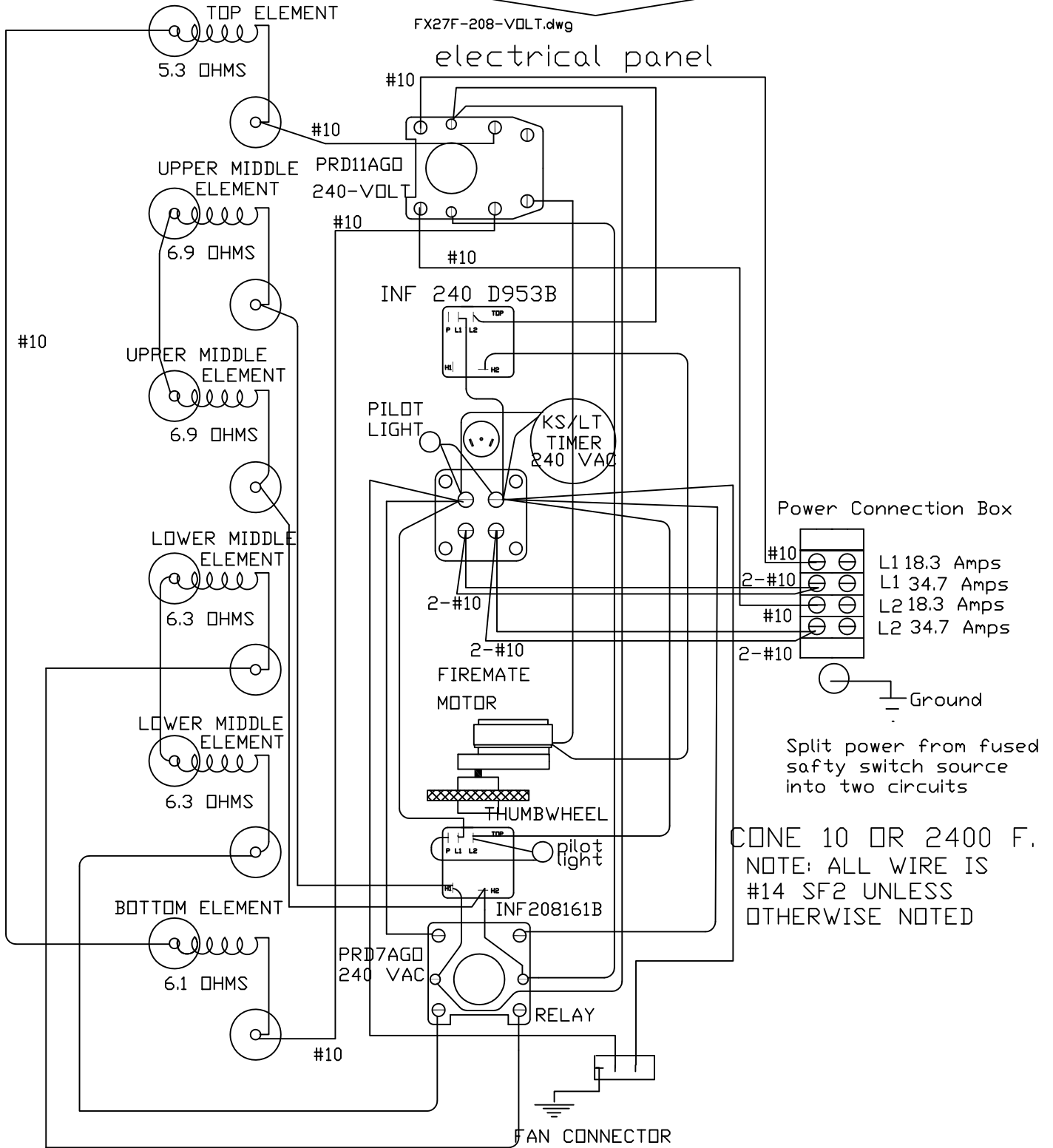
# FX27F 208-VOLT SINGLE PHASE

FRONT OF KILN



FX27F-208-VOLT.dwg

electrical panel



CONE 10 OR 2400 F.  
NOTE: ALL WIRE IS #14 SF2 UNLESS OTHERWISE NOTED