



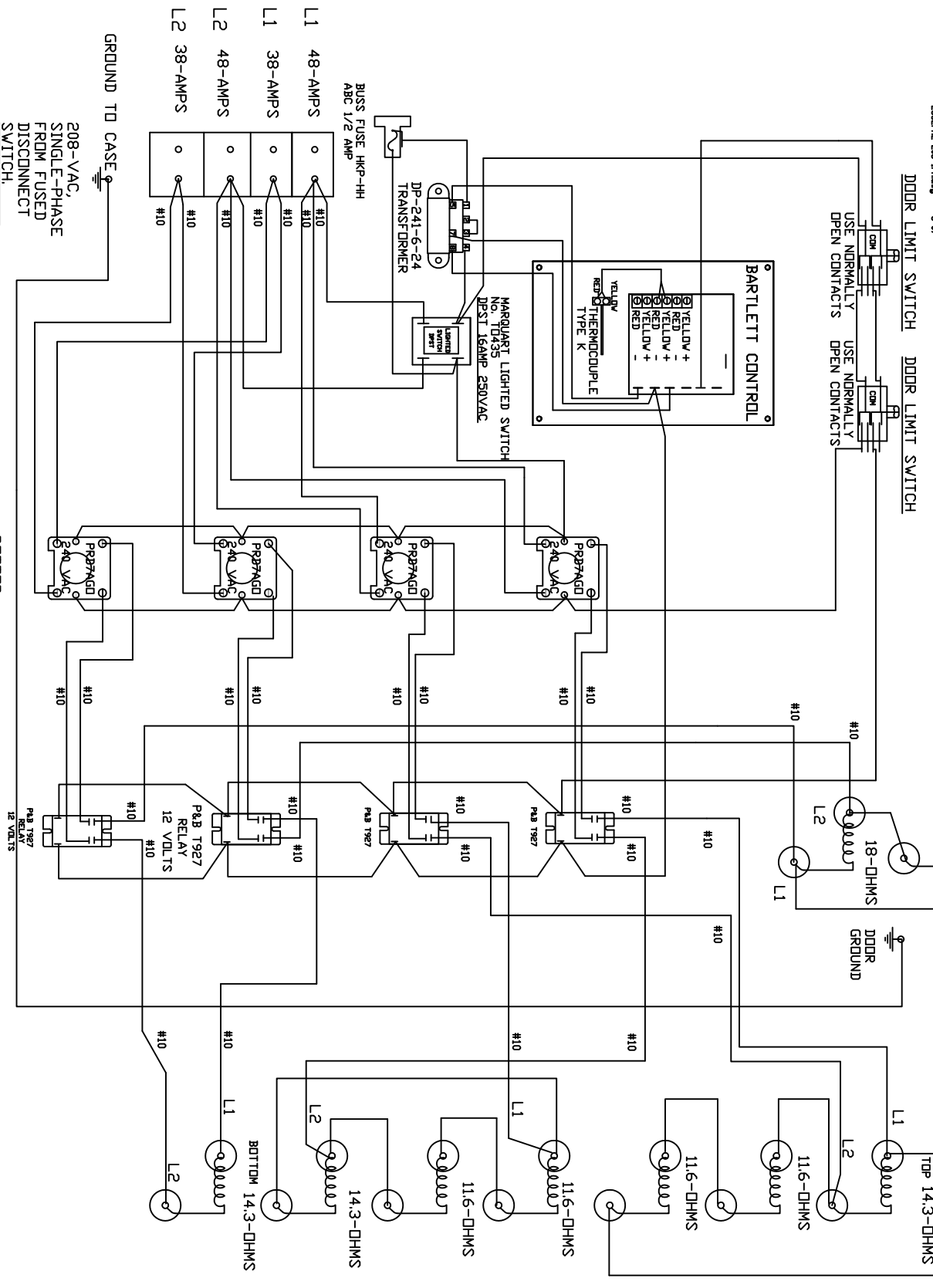
EC32FHL

EC32FHL-208-1PH-12V 5-17

208-VOLT, SINGLE-PHASE 86-AMPS

DOOR ELEMENTS

CHAMBER ELEMENTS



208-VAC,
SINGLE-PHASE
FROM FUSED
DISCONNECT
SWITCH.

POTTER
BURMFIELD
RELEYS
#PRD7AGD
240-VOLTS

POTTER
BURMFIELD
RELEYS
#192S7D22-12
12-VOLT