



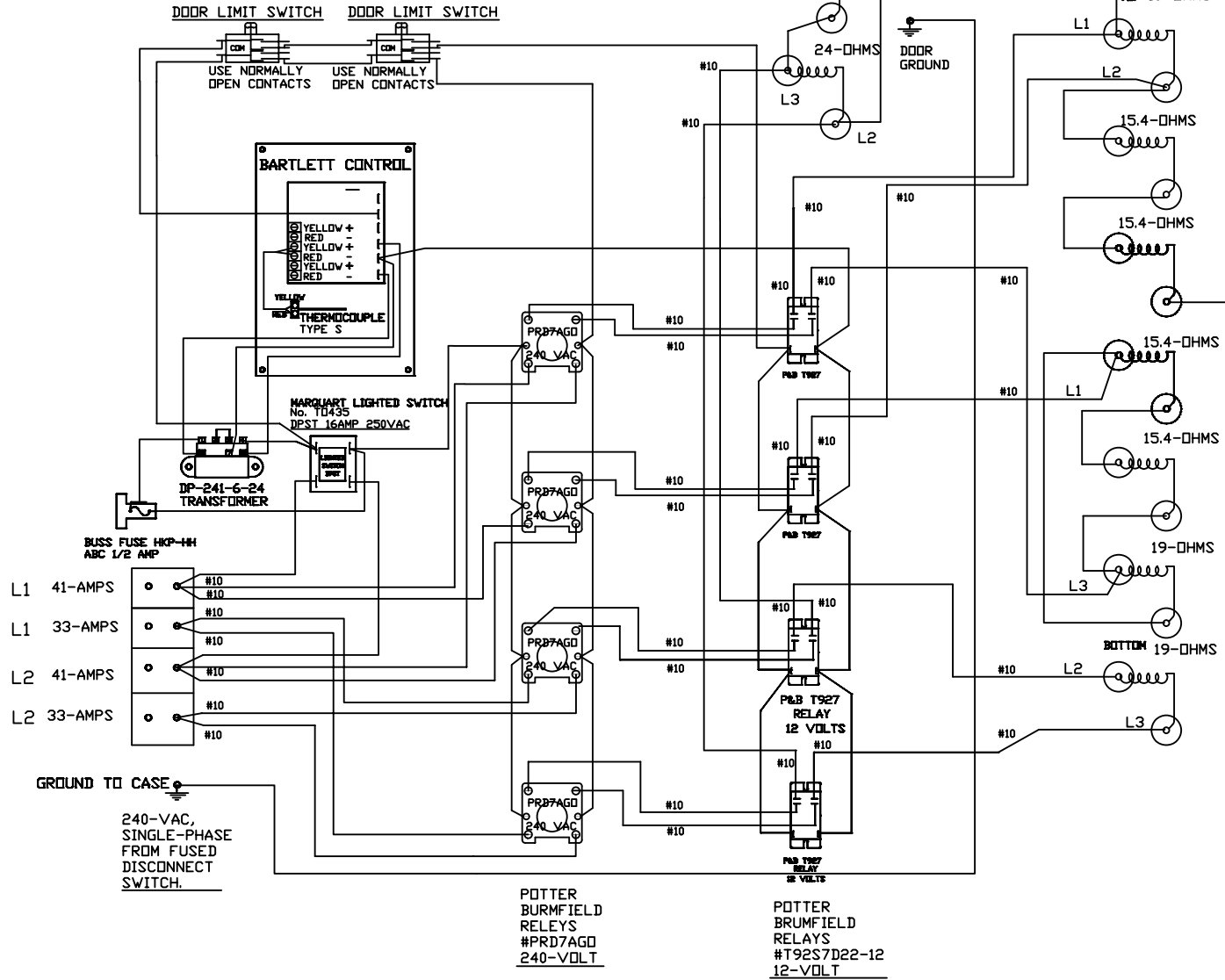
# EC32FH

240-VOLT, SINGLE-PHASE 74AMPS

EC32FH-240-1P14.dwg 5-97

## DOOR ELEMENTS

## CHAMBER ELEMENTS



- L1 41-AMPS
- L1 33-AMPS
- L2 41-AMPS
- L2 33-AMPS

GROUND TO CASE  
 240-VAC,  
 SINGLE-PHASE  
 FROM FUSED  
 DISCONNECT  
 SWITCH.

POTTER  
 BURMFIELD  
 RELAYS  
 #PRD7AGD  
 240-VOLT

POTTER  
 BURMFIELD  
 RELAYS  
 #T92S7D22-12  
 12-VOLT