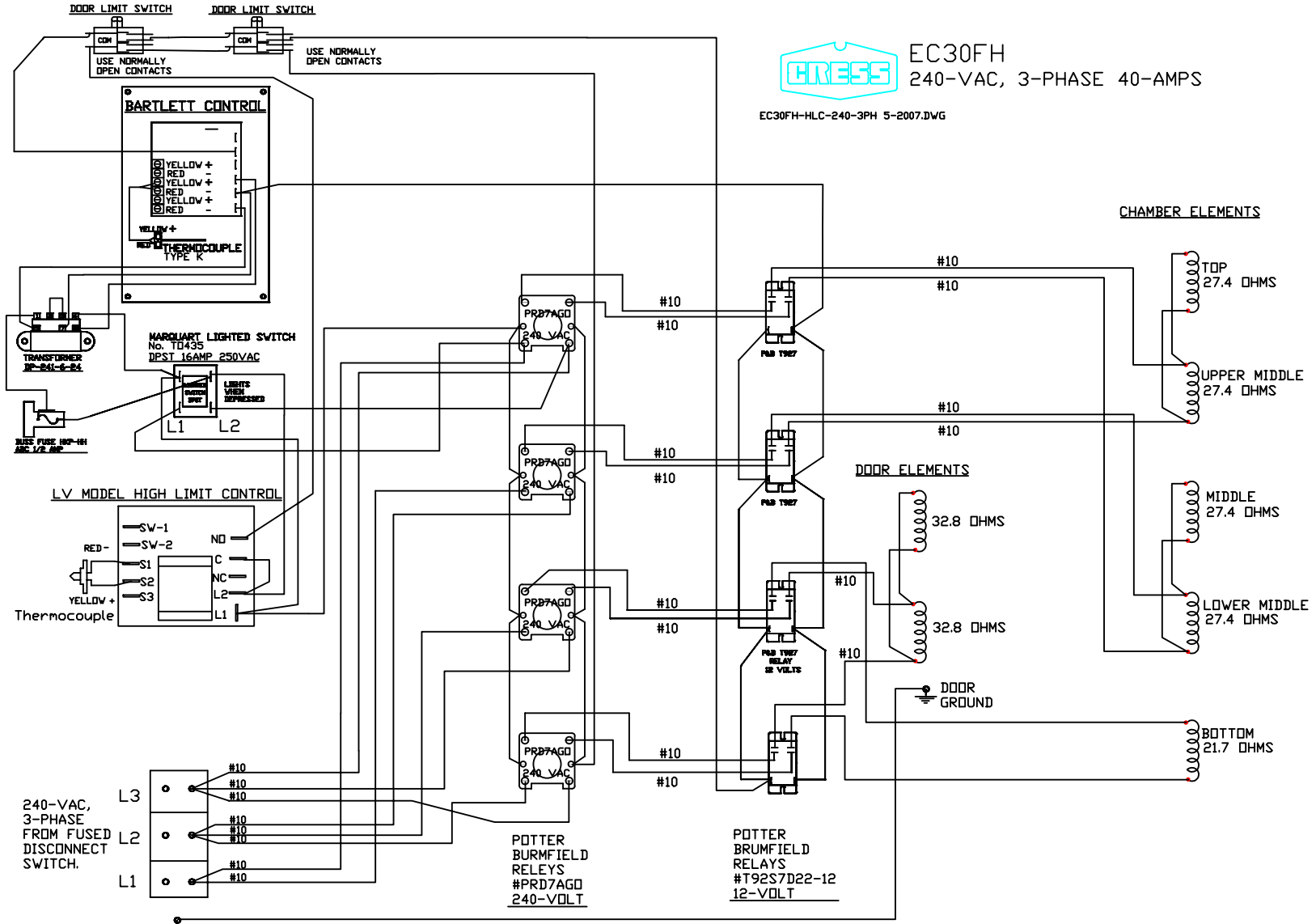




EC30FH 240-VAC, 3-PHASE 40-AMPS

EC30FH-HLC-240-3PH 5-2007.DWG



GROUND TO CASE

WIRE IS #14 GAUGE SF-2, UNLESS OTHERWISE NOTED.