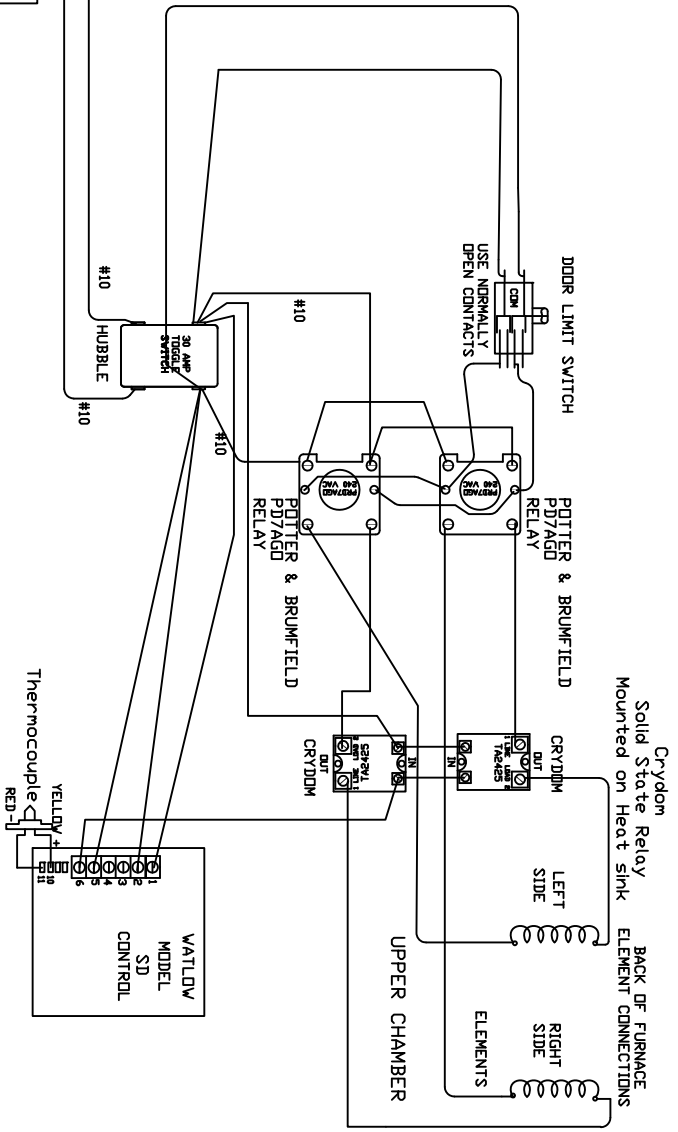
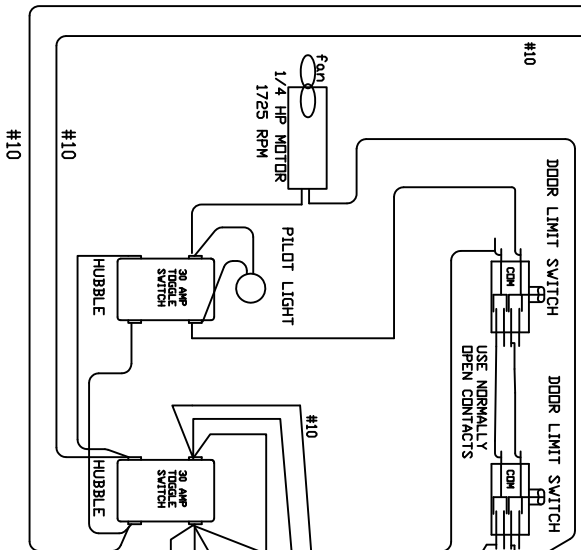
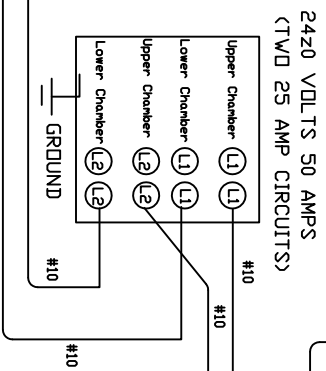


HERBEG

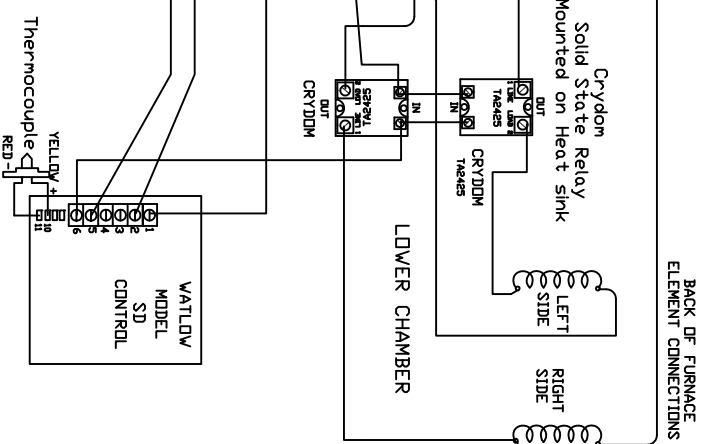
C122012/SD

240-Volt, Single-Phase, 47 Amps

C122012SD-240-1ph.dwg 6-2007



WIRE IS #14 GAGE SF2 UNLESS OTHERWISE SPECIFIED.
T.C. = TYPE 'K' THERMOCOUPLE
G = GROUND



Crydom
Solid State Relay
Mounted on Heat sink
BACK OF FURNACE
ELEMENT CONNECTIONS

BACK OF FURNACE
ELEMENT CONNECTIONS