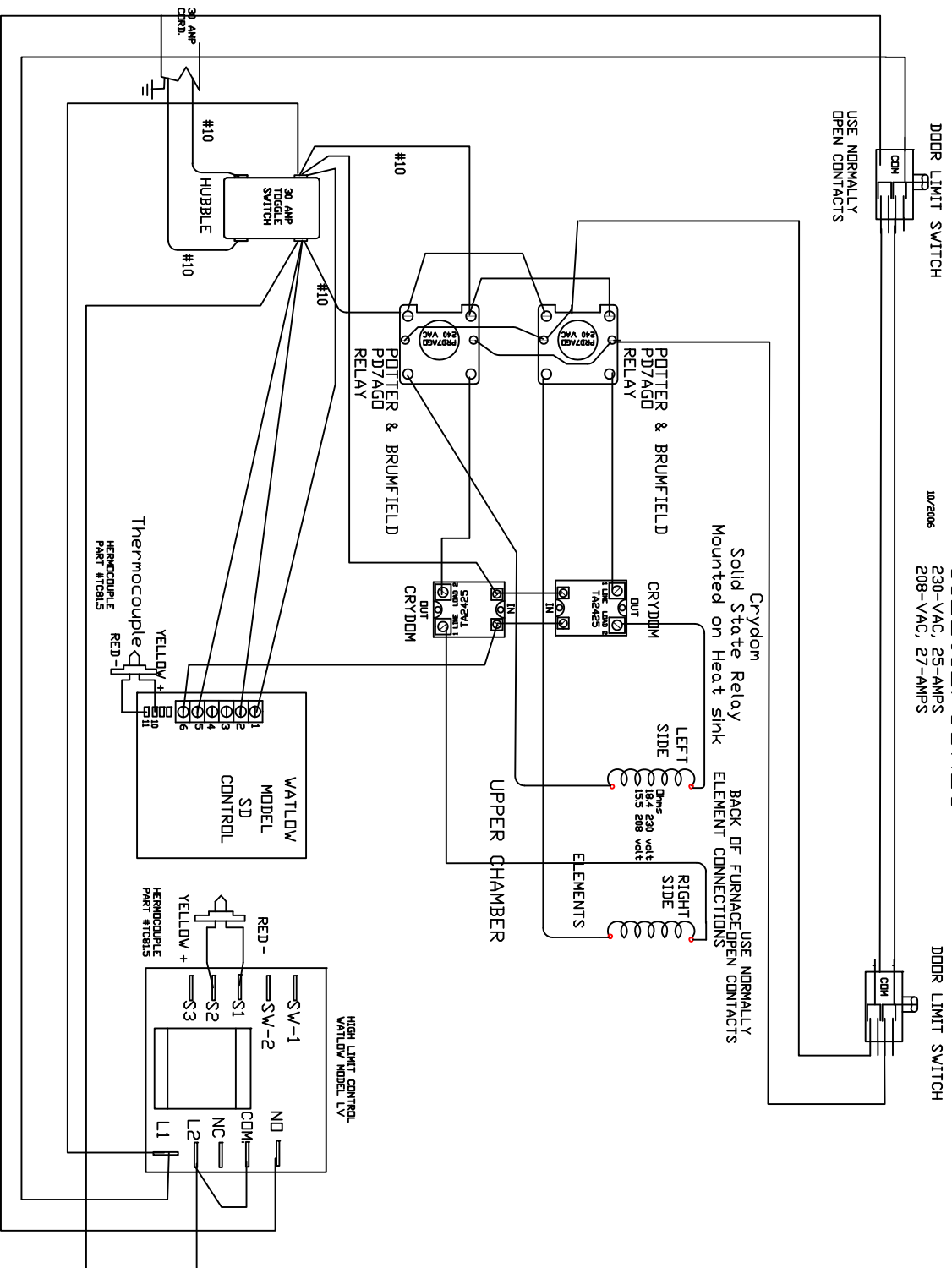


C1228/SDHLC
 C1232/SDHLC
 C122012/SDHLC

10/2006

230-VAC, 25-AMPS
 208-VAC, 27-AMPS



WIR IS #4GAGE SF2 UNLESS OTHERWISE SPECIFIED.
 TC = TYPE 'K' THERMOCOUPLE
 G = GRTI/ND