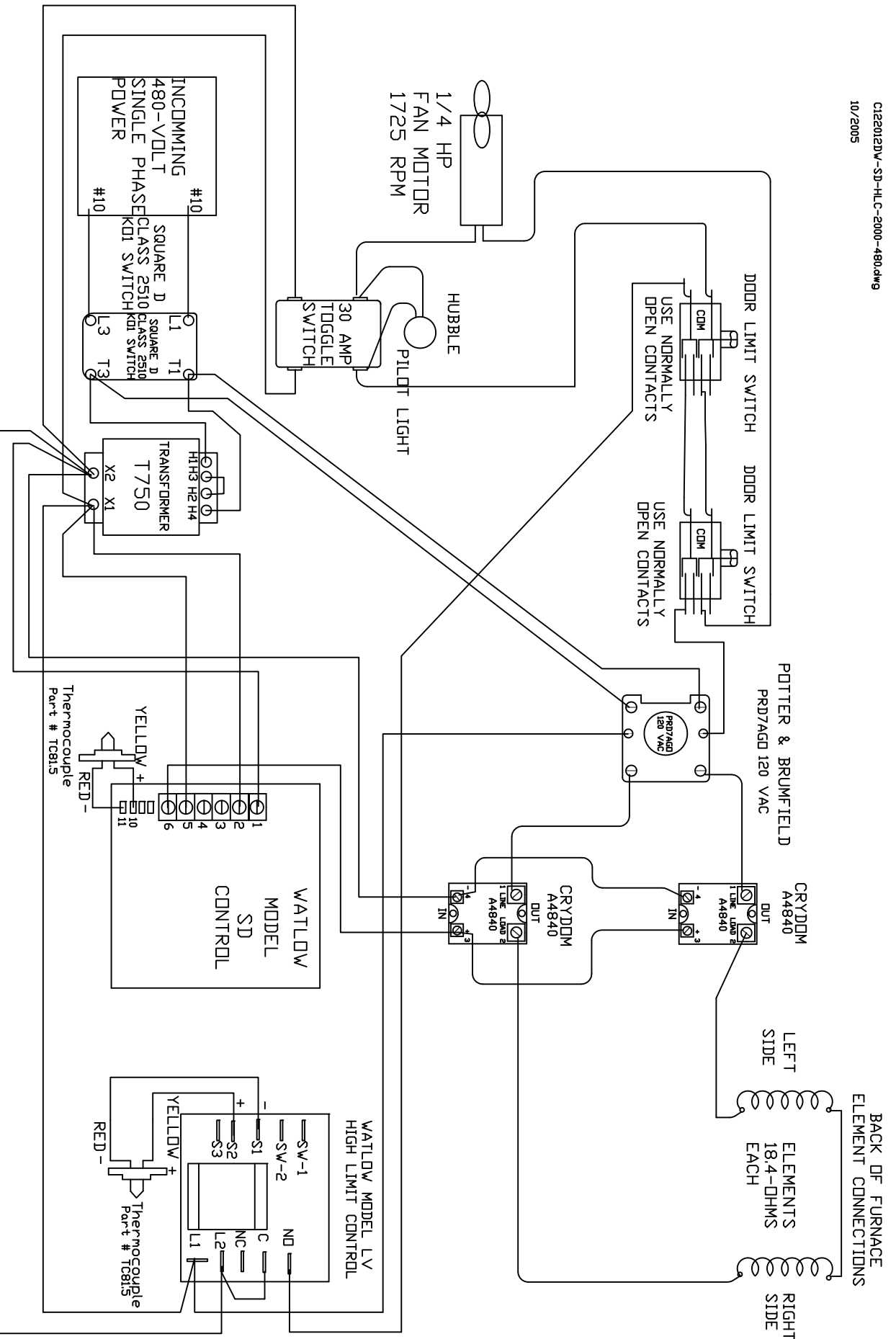




C-122012DW/SD-HLC-2000
480-VOLT, SINGLE-PHASE

C122012DW-SD-HLC-2000-480.dwg
10/2005



WIRE IS #14 GAGE SF2 UNLESS OTHERWISE SPECIFIED.
G = GROUND